



Similar Image



Coaxial copper sieve trap

ISO-63 coaxial metal sieve trap, 8" body

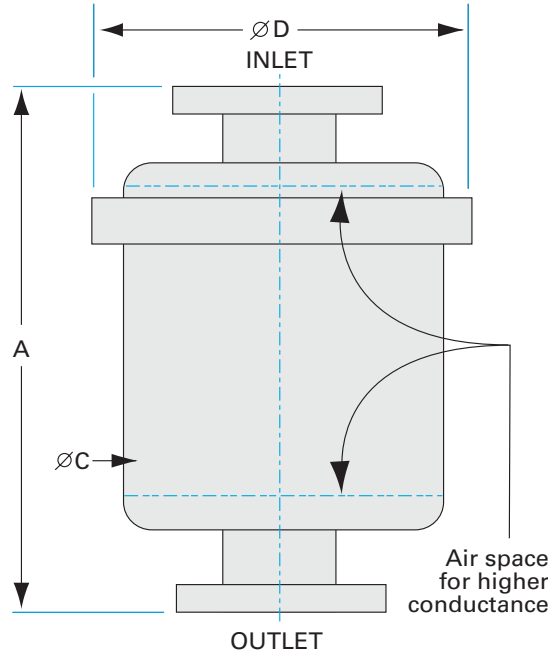
Part number: FCT-8-2502-ISO-CS

Coaxial copper sieve trap
ISO-63 coaxial metal sieve trap, 8" body

- Wide range of trap styles and techniques
- Choose a trap for particles, moisture, condensable chemicals or any combination thereof
- Call us at 800-842-4166 to learn more about foreline contamination management



Similar Image



Dimensions <i>(in inches)</i>	
Dim A	13.5"
Dim C	8"
Dim D	9.00"

FCT-8-2502-ISO-CS

Parameters	Specifications
Trap Type	Metal Sieve Trap
Sieve Material	Copper
Port Orientation	Coaxial
Flange Size / Type	DN 63 ISO-K
Trap Body Size	8" OD
Body Material	304 Stainless
Vacuum Range	1 · 10 ⁻⁸ mbar to 1 bar
Temperature Range	-20 °C to 180 °C
Weight	17 lbs

VACUUM SOLUTIONS FOR INDUSTRY & RESEARCH

Nor-Cal Products is a premier global source for custom and standard high and ultra-high vacuum chambers and components critical to the success of industrial, semiconductor, coating, analytics, and research applications. We offer an extensive selection of vacuum line fittings, hardware, valves and components which complement our custom manufacturing capabilities.

EARNING YOUR TRUST

Innovative engineering, precision manufacturing, exceptional service and expert technical support are cornerstones of our corporate culture and continuous improvement goals. Your trust is our most important asset.

INNOVATION SINCE 1962

An added value to working with Nor-Cal Products is how we apply our vacuum science and industry expertise to your production and research goals and timelines. We continue to develop new component lines and services to serve the demands of the exciting and ever emerging applications that require vacuum components.

Nor-Cal Products
Headquarters: USA
1-800-824-4166 or 530-842-4457
ncsales@n-c.com
www.n-c.com



RoHS2/REACH compliant
Conflict mineral regulations enforced

All data subject to change without prior notice.

Nor-Cal Products

by PFEIFFER VACUUM